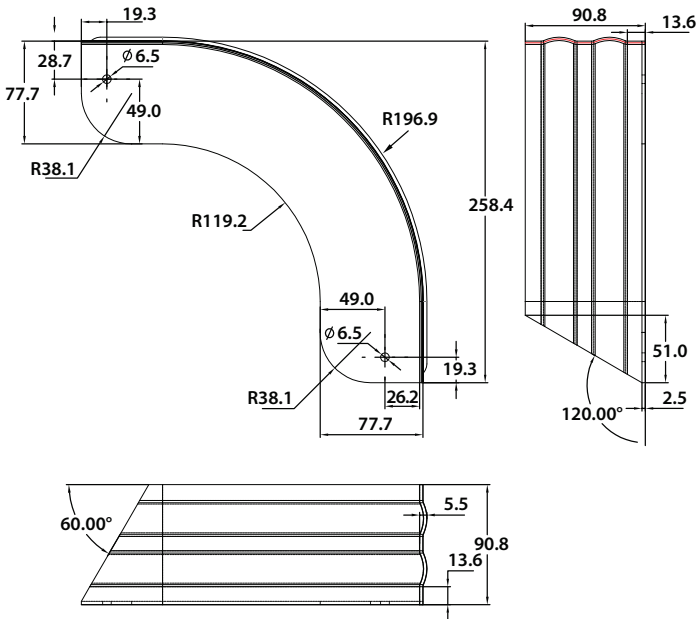
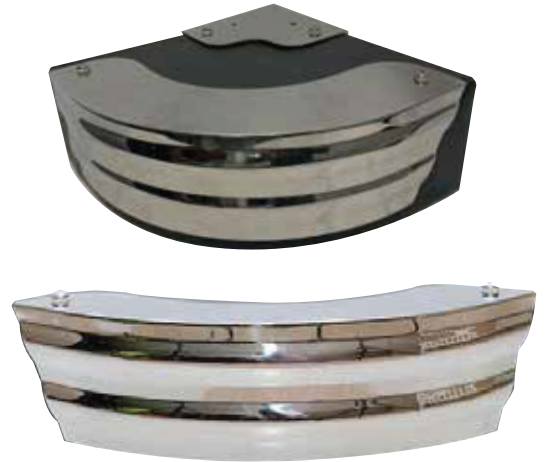
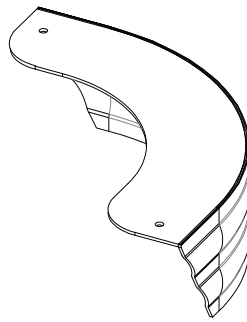


Hand Polished Stainless Steel Corner Castings

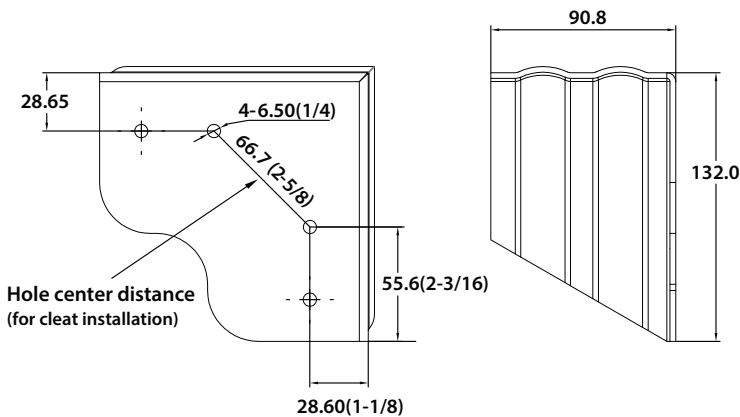


Bow corner casting (part no.WM9001E)

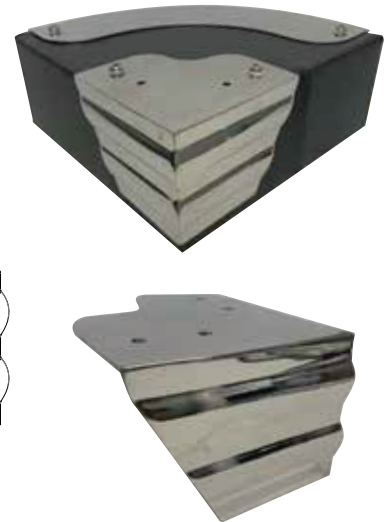
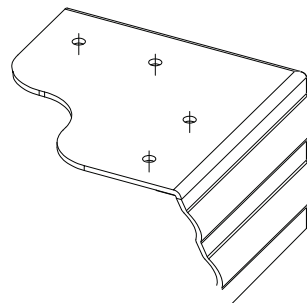
- Mirror effect, hand polished stainless steel 304 casting
- Heavy duty construction for years of use
- Bow casting Inner radius 119.2 mm (4.69 in)
Outer radius 196.9 mm (7.75 in)



- Stern Corner casting 90° radius



Stern corner casting (part no.WM9004E)



Professionally Represented by:

